

DETAILS FOR PUBLISHING TENDER

Name of the Organization	MAULANA AZAD EDUCATION FOUNDATION	
Type of Organization	Under Aegis of Ministry of Minority Affairs	
Tender Ref. No.		
Tender Title	Supply, Installation and Commissioning of 4 nos. prefabricated toilets, Shed & curtain wall at MAEF New Delhi	
Product Category	Miscellaneous Works	
Sub-Category		
Approx. Tender Value (In. Rs.)	4,86,000/-	EMD : 15000/-
Tender Type	Open	
Location	DELHI	
Start of Document Download	23.12.2017	From : 10.00 AM
	www.maef.nic.in https://eprocure.gov.in	
Last date of Download from	23.12.2017	Upto : 10.00 AM
	www.maef.nic.in https://eprocure.gov.in	
Last Date for Submission	29.12.2017	Upto : 03:00 PM
Opening Date	29.12.2017	After : 04:00 PM
Work Description	Office Duty	

Pre-Qualification

Tender Documents

Available on Website i.e. www.maef.nic.in,
<https://eprocure.gov.in>

Bid Documents

Available on Website i.e. www.maef.nic.in &
<https://eprocure.gov.in>

State

Delhi

For further Information Contact :

Name :

Shri R Rahman, CEO & Secretary

E-mail :

Secy-maef@nic.in

Phone Office:

011-23583788/89

Address :

Maulana Azad Campus, Chelmsford Road
New Delhi-110055

MAULANA AZAD EDUCATION FOUNDATION
(Ministry of Minority Affairs, Govt. of India)

REFERENCE NO. MAEF/16-17/CIVIL/01

TENDER DOCUMENT

FOR

SUPPLY, INSTALLATION AND COMMISSIONING
OF
4 Nos, PREFABRICATED TOILETS, SHED & CURTAIN WALL
AT

MAULANA AZAD EDUCATION FOUNDATION
MAULANA AZAD CAMPUS
CHELMSFORD ROAD

MAULANA AZAD EDUCATION FOUNDATION

Ministry of Minority Affairs, Govt. of India
Chelmsford Road, New Delhi-110055

Tender No: MAEF/Toilet/CIVIL/01

INVITATION FOR BID (IFB)

Sub: Supply, Installation and Commissioning of 4 nos. prefabricated toilets, shed & curtain wall at Maulana Azad Campus, Chelmsford Road, New Delhi-110055.

The bid documents will be available on payment of Rs. 500/- from the following office: Maulana Azad Education Foundation, Ministry of Minority Affairs, Govt. of India, Chelmsford Road, New Delhi-110055.

Last date of submission of tenders is 29.12.2017 up to 3:00 p.m at MAEF office. The bidding documents can also be downloaded from MAEF web site www.maef.nic.in and CPP portal. The agencies downloading documents from MAEF website shall submit DD for Rs. 500/- towards tender cost along with technical bid.

Last date of downloading of Tender documents: 29.12.2017 Up to 13:00 Hrs.

Date of submission of Tender: 29.12.2017 Up to 15:00 Hrs.

Date of opening Technical Bid: 29.12.2017 at 4:00 Hrs.

Earnest Money Deposit: EMD of Rs 15000/- (Rupees Fifteen Thousand only) by D/D issued by any Nationalized/scheduled bank in favour of "Maulana Azad Education Foundation", payable at New Delhi.

Cost of Tender Documents: Rs. 500/- by DD in favour of Maulana Azad Education Foundation payable at New Delhi (Non refundable)

Time of Completion: 30 days from the date of issue of Letter of award

Defect Liability Period: 12 Months from the date of issue of completion Certificate/Commissioning.

INSTRUCTIONS TO BIDDERS AND TERMS & CONDITIONS:

(1) **Eligibility Criteria:** Experience of having successfully completed similar works during last 5 years Ending 30.11.2017 should be either of the following: -

a. Three similar works each completed and each costing not less than 40% of the estimated cost

OR

b. Two similar works each completed and each costing not less than 50% of the estimated cost

OR

One similar work completed and costing not less than 80% of the estimated cost. The bidder has average annual turnover of Rs 25.0 Lakhs per year in the last three financial years ending 30.11.2017. "Similar Work" means the Supply, Installation and Commissioning of Prefabricated Toilets.

The contractor should be registered with GST.

2. Submission of offer:

a) Agency shall submit his offer in two envelopes marking "Envelop No. 1 (Technical Bid)". Envelope No. 1 shall contain

(i) EMD, tender cost and documents in support of Eligibility of the agency as per Para No. 1 above.

(ii) Entire tender documents duly signed either purchased from MAEF office or downloaded from website.

(iii) Complete features and specifications of the prefabricated toilets offered.

(iv) The tender documents should be spiral bound loose documents shall not be accepted.

b) Envelope No. 2 marked "Price Bid" shall contain the Financial Offer. Financial Offers of those agencies shall be opened who meet the eligibility criteria.

c) Envelops containing "Technical Bid" and "Price Bid" shall be put together in one Envelope marked "Offer for Tender No. MAEF/Toilets/01"

3. Items mentioned in the tender shall be as per prescribed terms and conditions and Technical specifications.

4. A person signing the tender form or any other documents forming part of the contract on behalf of the tenderer shall be deemed to warranty that he has authority to bind the tenderer and if it subsequently comes to light that the person so signed had no authority to do so, MAEF may without prejudice to any other civil and criminal remedies cancel the contract or the tender and hold the tenderer liable for all costs, charges and damages.

5. Nothing extra shall be paid on account of any discrepancy in nomenclature of item. The tenderer shall seek clarifications if any before submitting the tender.

6. Any cutting, overwriting etc. in tender must be signed by the tenderer.

7. MAEF reserves the right to split the order to more than one agency and increase or decrease the quantity without assigning any reason.

8. EARNEST MONEY: EMD amounting to Rs.15000/- (Rs. Fifteen Thousand Only) shall be submitted in the form of Demand Draft along with the tender in favour of **“Maulana Azad Education Foundation”** payable at New Delhi.

9. VALIDITY OF OFFERS: The tenderer agrees that the rates submitted shall remain valid for acceptance for a period of 90 days from the date of opening of the tenders.

10. ACCEPTANCE OF TENDERS: The acceptance of tender will rest with CEO & Secretary, MAEF who does not bind himself to accept the lowest tender and reserves to himself the authority to reject any or all of the tenders received, without assigning any reason.

Tenders in which any of the prescribed conditions are not fulfilled or are incomplete in any respect are liable to be rejected. MAEF does not bind itself to accept the lowest or any tender and reserves to itself the right of accepting the whole or any part of the tender and the tenderer shall be bound to perform the same at the rates quoted. If any tenderer stipulates any conditions of his own, such conditional tender is liable to be rejected. Upon acceptance of the tender by MAEF, the tenderer shall sign an agreement with MAEF for the works awarded to him under the tender.

11. TECHNICAL SPECIFICATIONS The Product shall conform to Technical specifications and shall be of the best quality and high standard materials. Bidders may submit their alternative technical specification also of similar nature.

12. INSPECTION & TESTING:

12.1 The MAEF or its representatives or ultimate client shall have the right to inspect and test the goods for their conformity to the specifications. The purchaser may also appoint an agency for this purpose. The technical specifications shall specify what inspection and tests the Purchaser requires and where they are to be conducted. Where the Purchaser decides to conduct such tests on the premises of the Supplier, all reasonable facilities and assistance like testing instruments and other test gadgets including access to the drawings and production data shall be furnished to the Inspector free of cost. In case the tested goods fail to conform to the specifications, the Inspector may reject them and the Supplier shall either replace the rejected goods or make alteration necessary to meet the specifications requirements free of cost to the Purchaser.

12.2 Notwithstanding the pre-supply tests and inspections, the products on receipt in the Purchasers premises shall also be tested and if any product or part thereof is found defective, the same shall be replaced free of cost to the Purchaser. If any product before it is taken over is found defective or fails to fulfill the requirements of the contract, the Inspector shall give the Supplier notice setting forth details of such defects or failures and the supplier shall make the material good or alter the same to make it comply with the requirements of the contract and in any case within a period not exceeding two months of the initial report. These replacements shall be made by the Supplier, free of all charges, at the site(s).

13. WARRANTY

The supplier shall unconditionally guarantee that the Product supplied shall:-

- a) Be in satisfactory condition and free from all defects including defects arising out of inferior materials faulty and inferior workmanship.
- b) Be of highest quality and fit for the purpose for which they are intended.
- c) Strictly comply with Technical Specifications. Whereas defects are found in the Products, the supplier shall bear all costs including freight and the replacement of the defective goods within a period of one year from the date of supply without any cost to MAEF.

14. PAYING AUTHORITY CEO & Secretary, Maulana Azad Education Foundation.

PAYMENT TERMS: The payment shall be made as under:

- a) 80% payment shall be made against satisfactory delivery, installation and commissioning of the Prefabricated toilet blocks and all allied works in good condition as per Technical specifications at site on submission of invoice and relevant documents.
- b) Balance 20% shall be released after 45 days of successful installation and commissioning.
- c) No payment will be made for goods rejected on testing.

16. SUPPLY & INSTALLATION OF PREFABRICATED TOILETS

16.1 SUPPLY & INSTALLATION SCHEDULE The supply and installation of the prefabricated toilets at destination along with all necessary documents of the products be made within 07 days from 3rd day from date of award letter.

The supply and installation period as mentioned in the award letter shall be deemed to be the essence of the contract. Any failure on adherence to schedule will invoke the liquidated damages clause. In case if required by the consignee the demonstration shall have to be carried out by the supplier.

16.2 PLACE OF SUPPLY AND INSTALLATION: The prefabricated toilets are to be supplied and installed at Maulana Azad Education Foundation, Maulana Azad Campus, Chelmsford Road, New Delhi-110055.

17. VARIATION: The quantities given in the BOQ can be increased/decreased by plus/minus 25% at the quoted/negotiated rates of the bidder.

18. CLAIMS:

1. If the products supplied are found to be off size and shape different than those contracted and are of specifications lower than those stipulated in this contract, MAEF shall have right to totally reject the goods and/or to prefer a claim for compensation for the part of goods, which is rejected. The Supplier shall reimburse to MAEF, the actual expenditure on such goods by way of cost, freight, insurance,

loading, warehouse charges, testing charges and legal cost within 15 (fifteen) days of its demand. The Supplier shall be responsible for arranging the rejected goods to be removed at his cost from MAEF / Sites, if so desired by MAEF.

2. The Contractor shall also compensate for losses, if any, sustained by MAEF due to defective packing and/or marking of the items not in accordance with the terms of the Contract.

3. The Contractor shall also compensate for loss, on account of shortage in actual quantity received vis-à-vis that indicated in the Delivery Note/Transporter's Receipt.

19. TAXES:

The rates quoted by the tenderer shall be deemed to be inclusive of the sales and other levies, VAT, duties, royalties, cess, labour cess, toll, taxes of Central and State Governments, local bodies and authorities that the tenderer will have to pay for the performance of this Tender Doc. Prefabricated Toilets. MAEF will perform such duties in regard to the deduction of such taxes at source as per applicable law. Tenderer shall quote all inclusive prices including the liability of Turnover tax, Sales tax, Excise duty, Works tax, cess, labour cess, Royalty charges and other tax/ or duty (as applicable) on contract as a whole or part thereof.

20. DISPUTES / ARBITRATION: In the event of any dispute or difference arising between MAEF and the tenderer in any matter covered by this contract or arising directly or indirectly there from or connected or concerned with the said contract in any manner of implementation of contract, in any manner of the implementation of any terms and conditions of the said contract, the matter shall be referred to the Secretary & CEO, MAEF, within 90 days of occurring of dispute who may himself act as sole arbitrator or may name as sole arbitrator an officer of MAEF notwithstanding the fact that such officer has been directly or indirectly associated with this contract and the provisions of the Indian Arbitration Act shall apply to such arbitration. The tenderer expressly agrees that the arbitration proceedings shall be held at New Delhi. In case the tenderer wants to take the dispute to a court of law after arbitration award as aforesaid, it is clearly understood that only courts in Delhi shall have the jurisdiction.

21. FORCE MAJEURE:

a) Apart from and an addition to what is stipulated in the Civil Court of New Delhi the following occurrence may according to the circumstances constitute case of Force Majeure and absence of Force Majeure. i) The unforeseen act of third party for which the supplier is not responsible, or ii) An official prohibition preventing the performance of the order, or iii) A natural catastrophe such as an earthquake, lightning or civil war.

b) Absence of Force Majeure; i) A strike or lockout taking place in the undertaking of the supplier or affecting the branch of business in which he carries out its activities, or ii) An increase or reduction in the price of raw material necessary for the performance of the order, or the enactment or new legislation whereby the obligations of the supplier become more onerous.

22. CONTRACTOR'S RISK:

All risks of loss of or damage to physical property and of personal injury and death, which arise during and in consequence of the performance of the Contract other than the excepted risks which are: (a) In so far as they directly affect the execution of the Works in the Employer's country, the risks of war, invasion, act of foreign enemies, rebellion, revolution, insurrection or military or usurped power, civil war, riot commotion or disorder (unless restricted to the Contractor's employees), natural calamities and contamination from any nuclear fuel or nuclear waste or radioactive toxic explosive,

or (b) A cause due solely to the design of the Works, other than the Contractor's design is the responsibility of the tenderer.

26. TERMINATION OF CONTRACT: In case of failure of the tenderer to perform the contract as per the terms and conditions and to the satisfaction of MAEF, MAEF reserves the right to terminate the contract without assigning any reason. MAEF shall have a right to complete the supply through any agency at the risk and cost of the contractor.

GENERAL SPECIFICATION:

1. SPECIFICATION FOR SUPPLY & INSTALLATION OF PRECAST, RCC TOILET FOR INDIVIDUAL HOUSEHOLD LATRINES:

Material	Low porosity Reinforced Concrete grade -M-40.
Dimensions (minimum)	<ul style="list-style-type: none">- Height: 2000 mm- Length: 975 mm- Width: 900 mm- Wall Thickness – Minimum 20 mm thick with a Steel mesh of 2-inch x 3inches with 2 mm diameter
Structure	The complete structure (walls and floor) should be in maximum 6 pcs and pre-cast, tolerance of +/- 2%, no horizontal joints are accepted on the walls.
Roof	Made of M-40 concrete and the thickness is minimum 20 mm, roof should be reinforced to withstand water tank load.
Door	Made of Mild Steel in size <ul style="list-style-type: none">- Width: 800 mm- Height: 1,800 mm- Thickness: 0.8 mm In the frame of 20 mm MS pipe with the reinforcement in center
Toilet Seat	Rural Orissa pan / Western Toilet Seat /urinal all made of ceramic (as per requirement)
Interiors	Tiles-On floor Tiles on walls up to 3ft height Paint – Good quality paint on walls
Taps & Flushing	Water tap at a nominal height of minimum 13 inches for Orissa Pan. Flushing at a height of 4 feet and 8-litercapacity
Water Tank	Water tank of HDPE of minimum 100 litres (with an openable lid) for the supply of water. To be placed on top with suitable frame
Foundation	Foundation of M 7 grade 50 mm to be made
Sewage	To be connected to the nearest sewage line, max. 3 metres
	Drawings of the Super structure

2. Specifications & details of advertisement Panels and Shed Size (18'x4') for Toilets work as follows:

1. Stainless steel section 40 mm X 40 mm Sq. Hollow pipe for projection & branding frame structure as per design details.
2. 0.5 mm thick M.S colour coated sheet (ACP) use as branding panels as per details.
3. Supply & fixing the 5 mm thick mirror panel pasted on 9 mm thick commercial ply based with stainless steel hollow pipe sections based outer frame. Wash basin with tab S.S.
4. Supply & fixing the stainless steel hollow sections based railing fix at ramp area and tie with advertisement pillars as per details. The hold-fast brackets will be casted with cement concrete mortal detail to fix the railing panels.

PRICE BID SCHEDULE

S. No.	Item Description	Qty	Rate		Amount
			In figures	In words	
1	Providing and installation of precast, RCC Toilet blocks as per design and specification enclosed.	4			
2	Providing and installation of curtain wall & shed for Toilet blocks of Size 18'X4' made of 40 mm X 40 mm Hollow stainless steel pipe frame and 0.5 mm thick M.S. colour coated sheet (ACP) etc. as per details and specification enclosed.	4			

Optional Items Annual Maintenance Contract (AMC) (not a part of Evaluation)

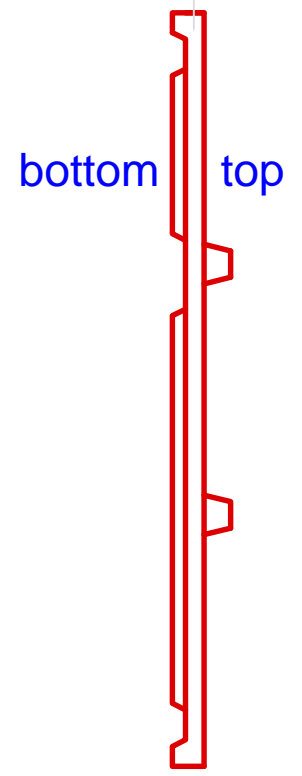
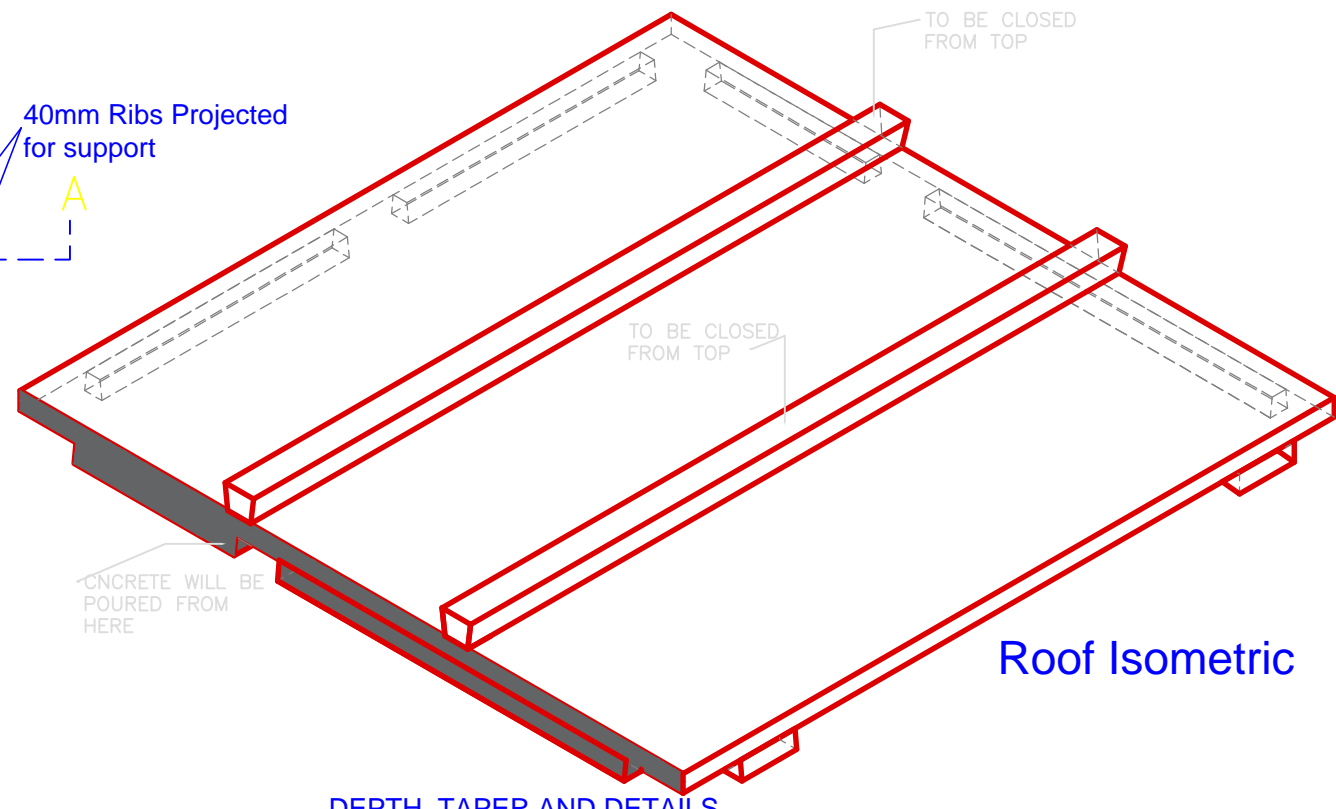
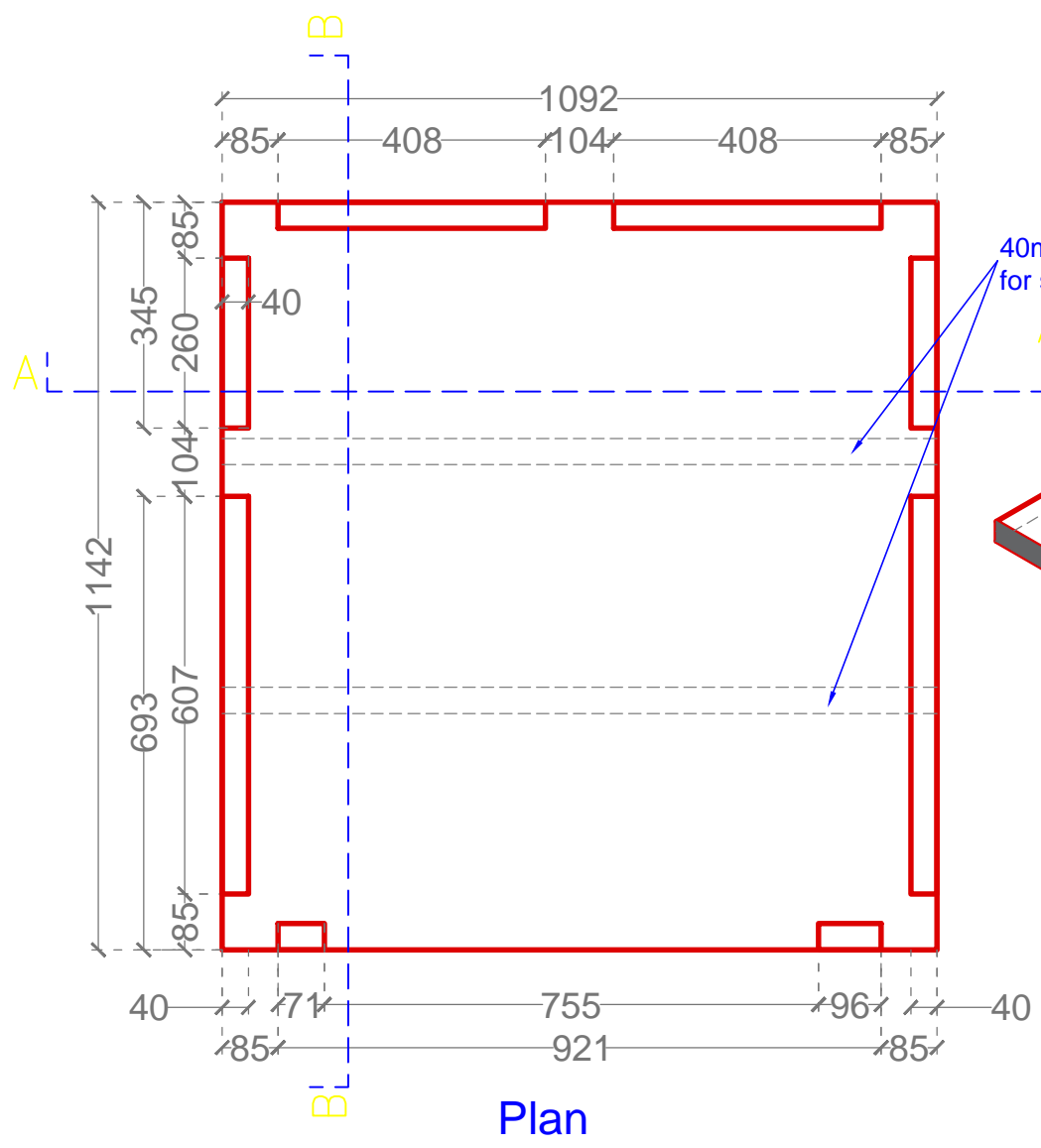
Description	Rate	
	In figures	In words
Comprehensive AMC for Post Warranty Period		
Non-Comprehensive AMC Charges for Post Warranty Period		

Note: Please furnish the Scope of Work of Comprehensive AMC Charges and Non-comprehensive Charges.

**M60 GRADE SELF-COMPACTING CONCRETE
3 MM WIRE MESH (100x100MM GAP) CENTRE**

concrete to be poured from here.

NOTE:
ALL DIMENSIONS ARE IN MM
MATERIAL :
M25 CONCRETE

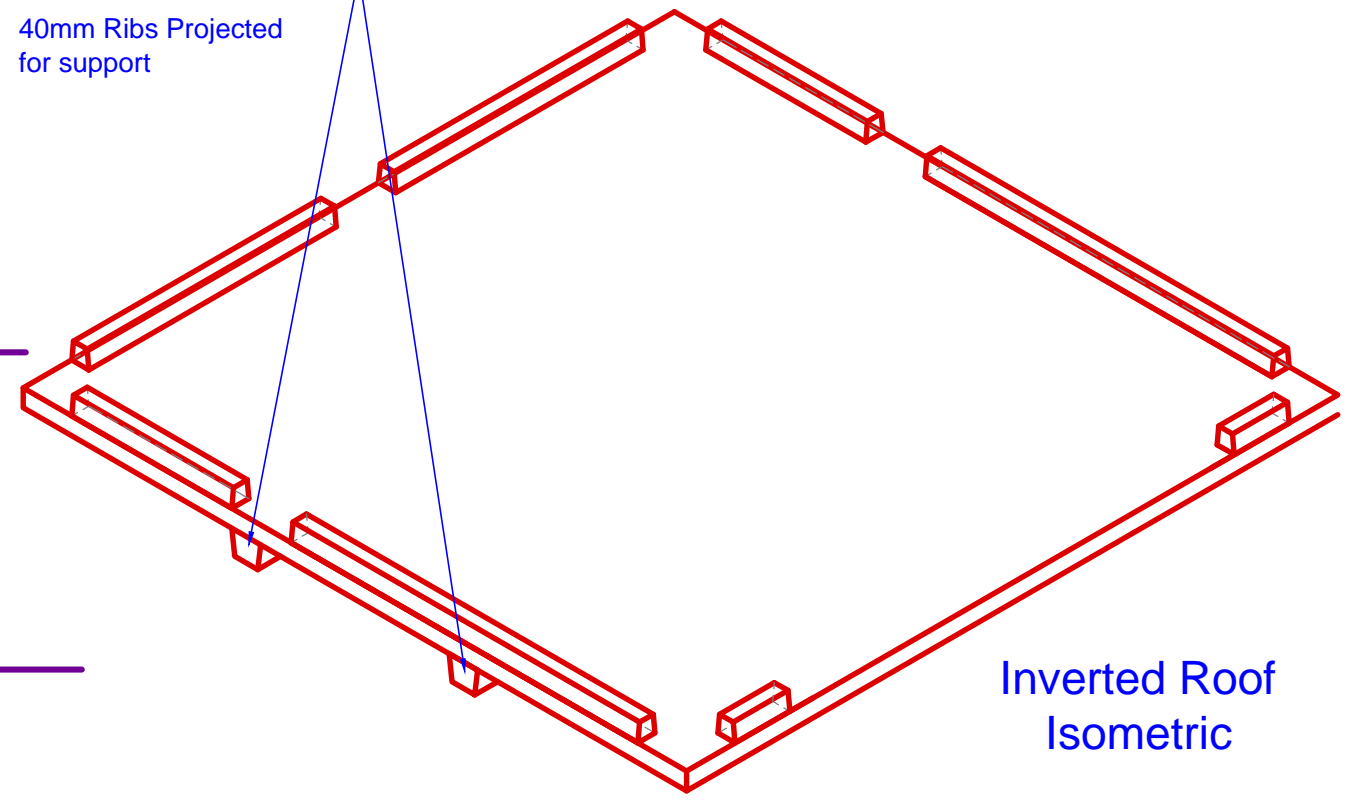


PRECAST RCC
TOILET
PANEL
SUPER-
STRUCTURE

USED FOR
INDIAN WC/
WESTERN WC

ROOF

DEPTH, TAPER AND DETAILS
TO BE DECIDED BY MFE
40X40 mm Rib



Plan

Roof Isometric

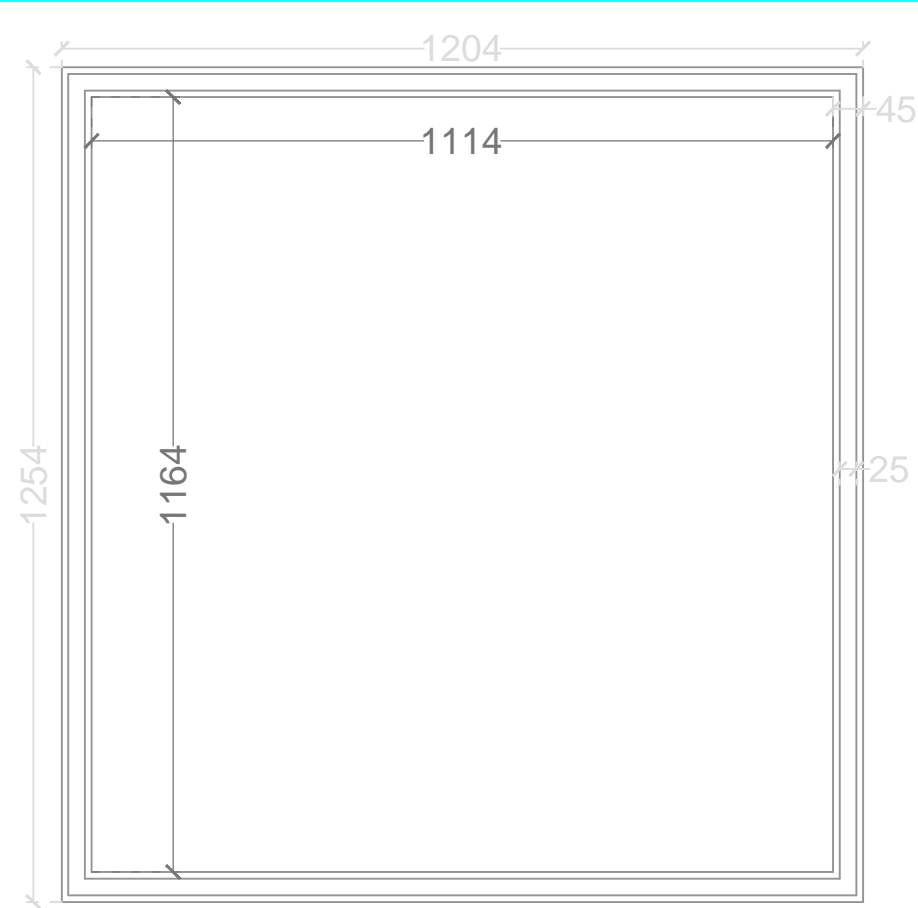
Section A-A

Section B-B

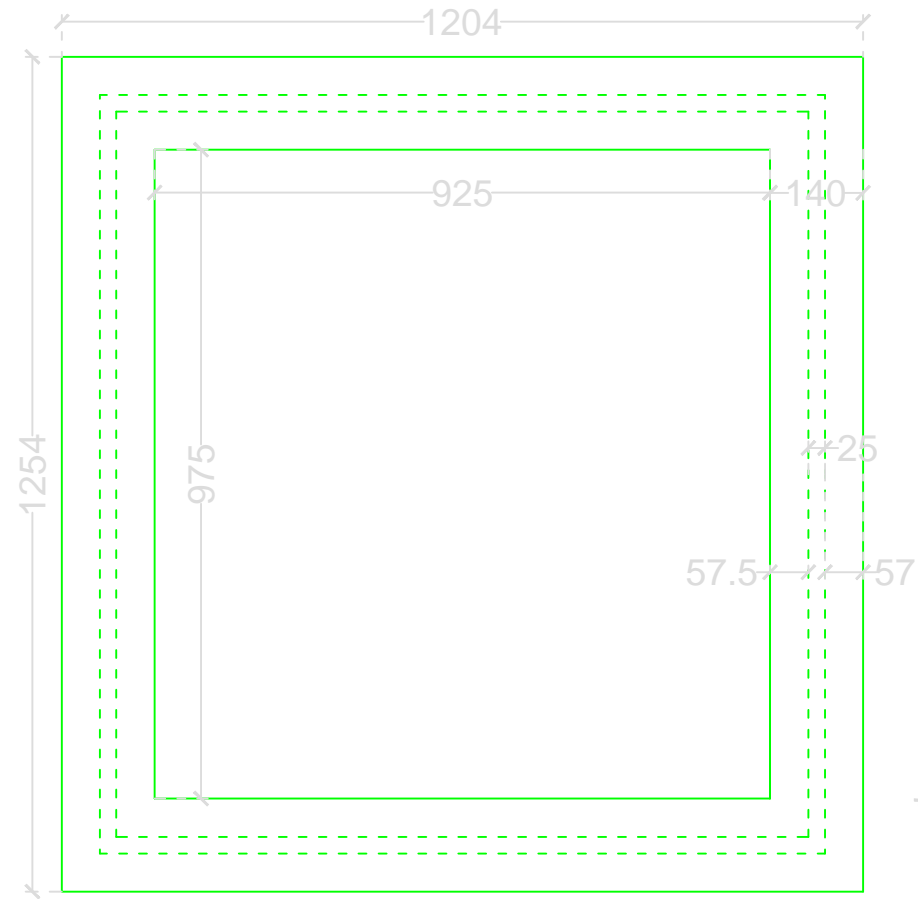
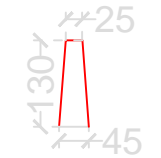
Inverted Roof Isometric

Dwg No. PT-04 Date: 12/07/2017

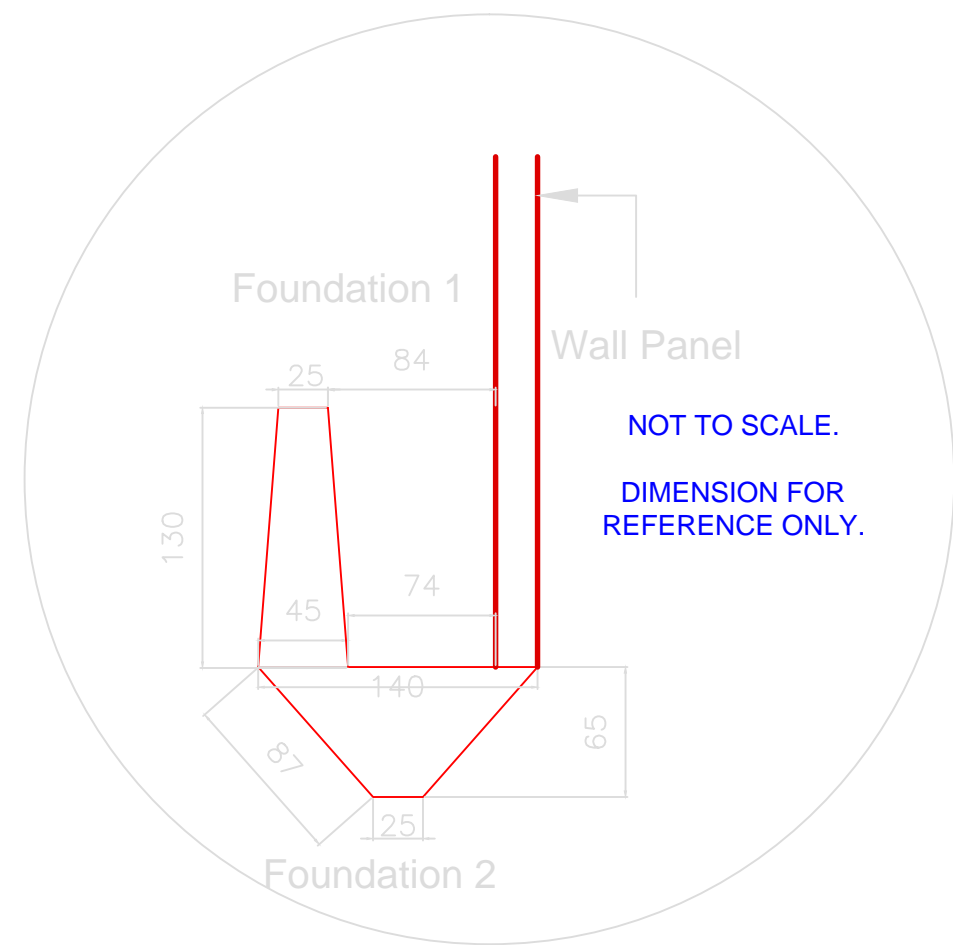
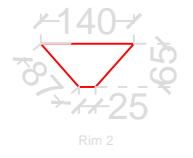
Sheet A3 Scale: 1:10



FOUNDATION 1



FOUNDATION 2



NOTE:
ALL DIMENSIONS
ARE IN MM

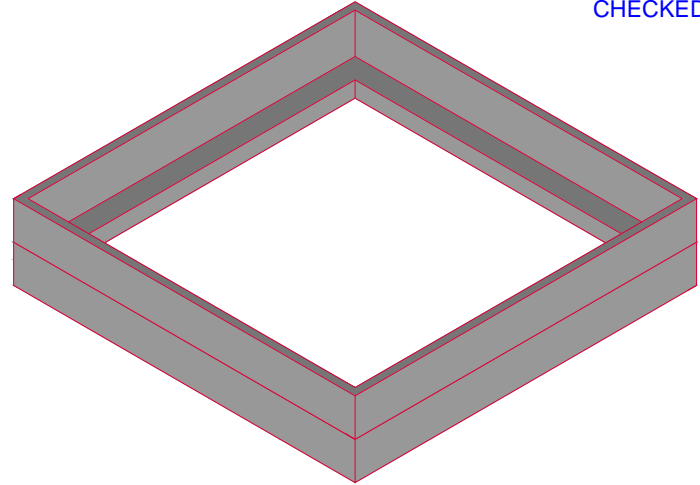
MATERIAL :
M25 CONCRETE

**PRECAST RCC
TOILET
PANEL
SUPER
-STRUCTURE**

USED FOR
INDIAN WC/
WESTERN WC

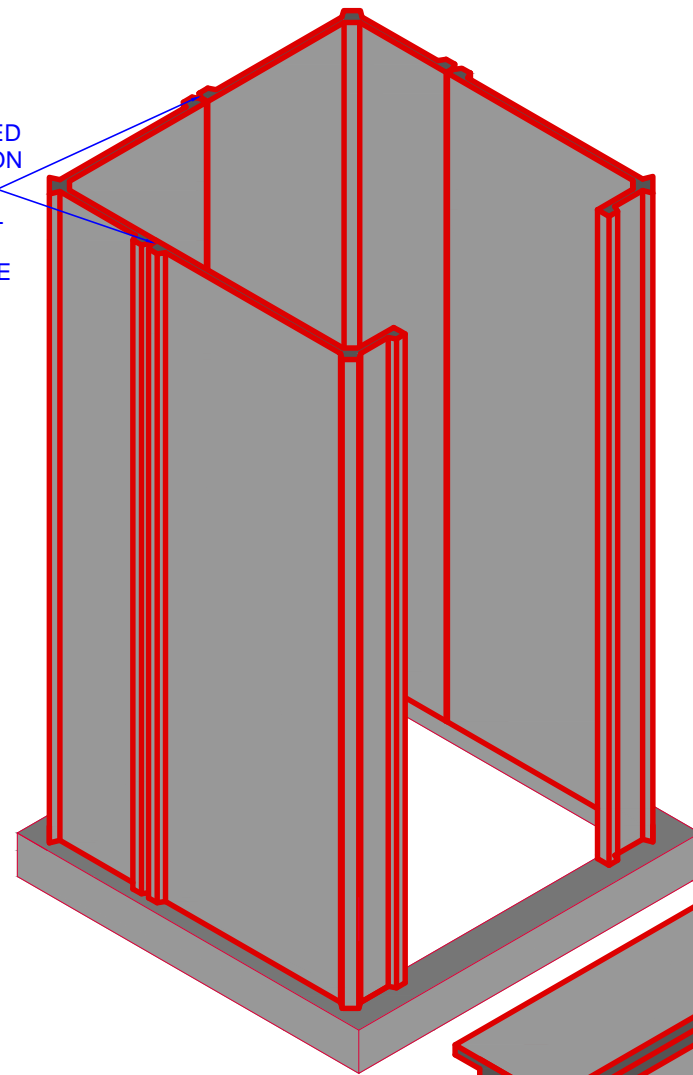
FOUNDATION

Dwg No.	Date:
PT-03	12/07/2017
Sheet	Scale:
A3	1:10

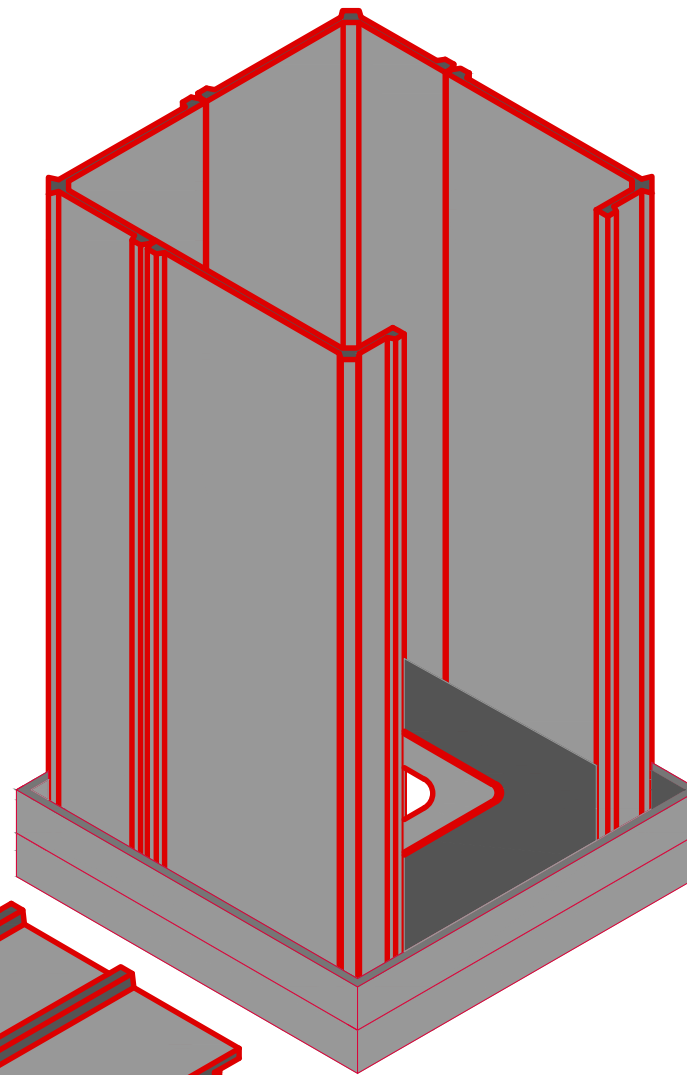


Step 1: Foundation is laid out

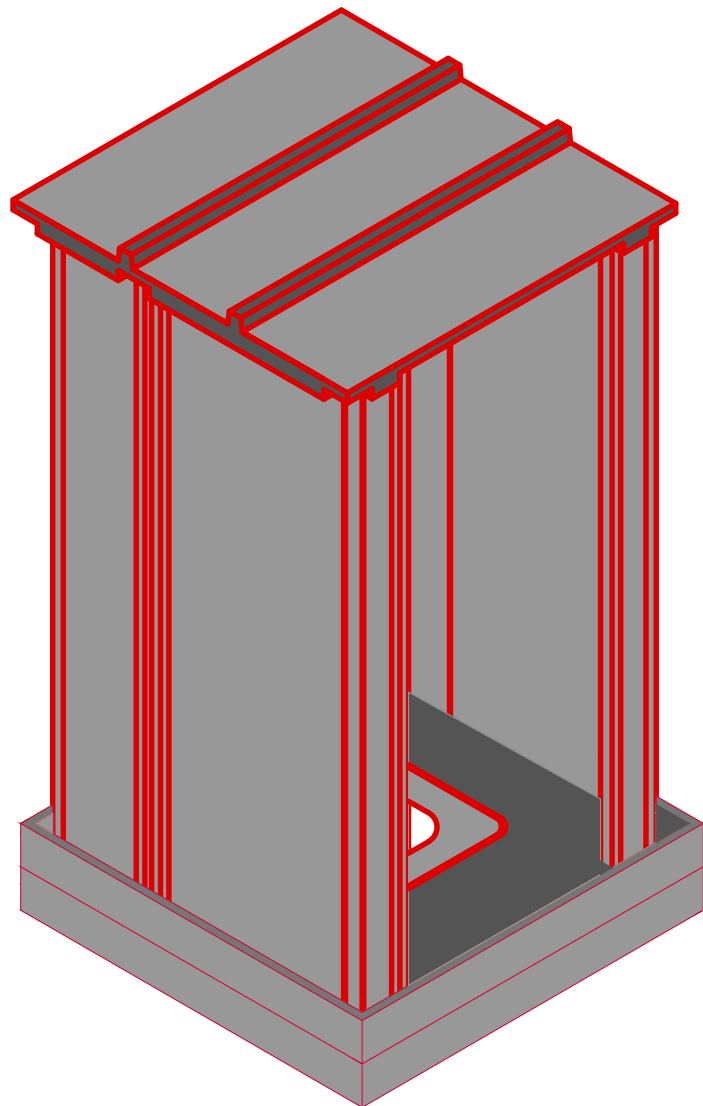
GAPS TO BE FILLED
AFTER PLACING ON
SITE
TAPER IN PANEL
NEEDS TO BE
CHECKED BY MFE



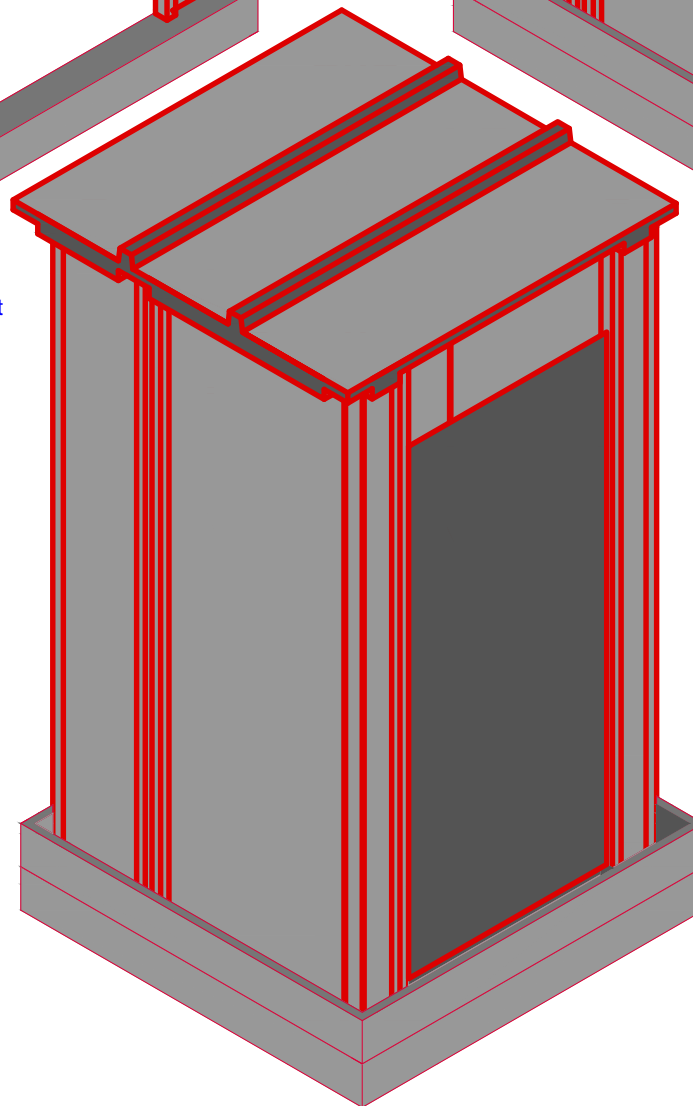
Step 2: Panels are laid over the foundation. Being a self support system, its easy to hold them in place.



Step 3: Concrete is poured over the foundation level (260 mm) and Toilet seat is laid out.



Step 4: The roof is placed over the structure.



Step 5: Door of 600mm Wide (5'-10") is attached.

NOTE:
ALL DIMENSIONS
ARE IN MM

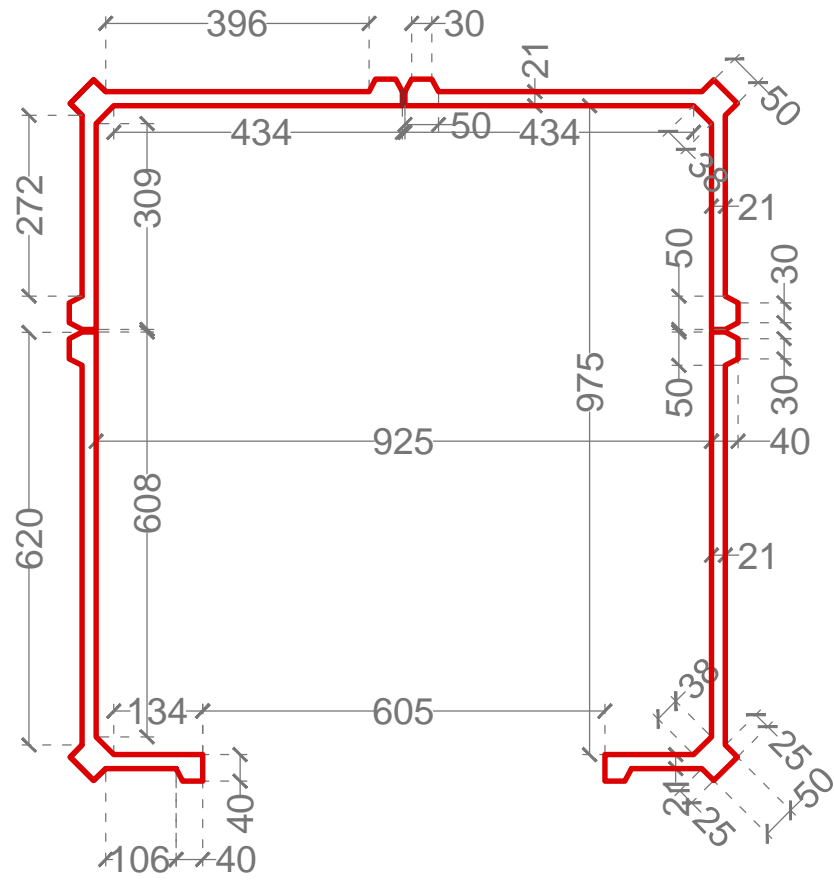
MATERIAL :
M25 CONCRETE

PRECAST RCC
TOILET
PANEL
SUPER
-STRUCTURE

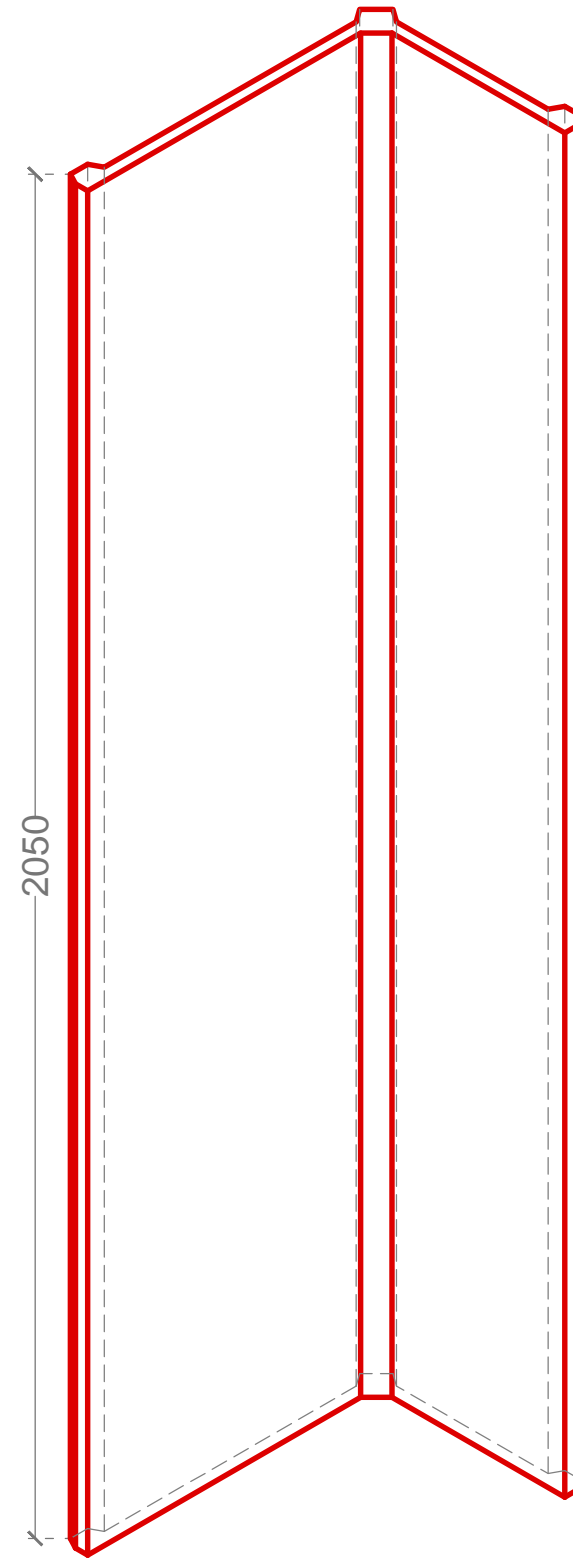
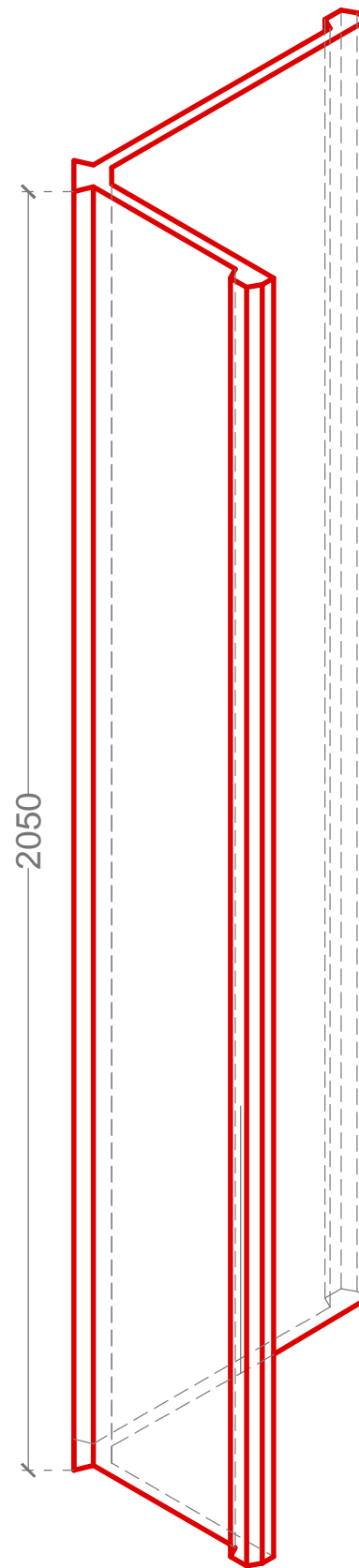
USED FOR
INDIAN WC/
WESTERN WC

INSTALLATION
GUIDELINES

Dwg No.	Date:
PT-06	12/07/2017
Sheet	Scale:
A3	1:20



PLAN FOR PANELS



PANELS

NOTE:
ALL DIMENSIONS
ARE IN MM

MATERIAL :
M25 CONCRETE

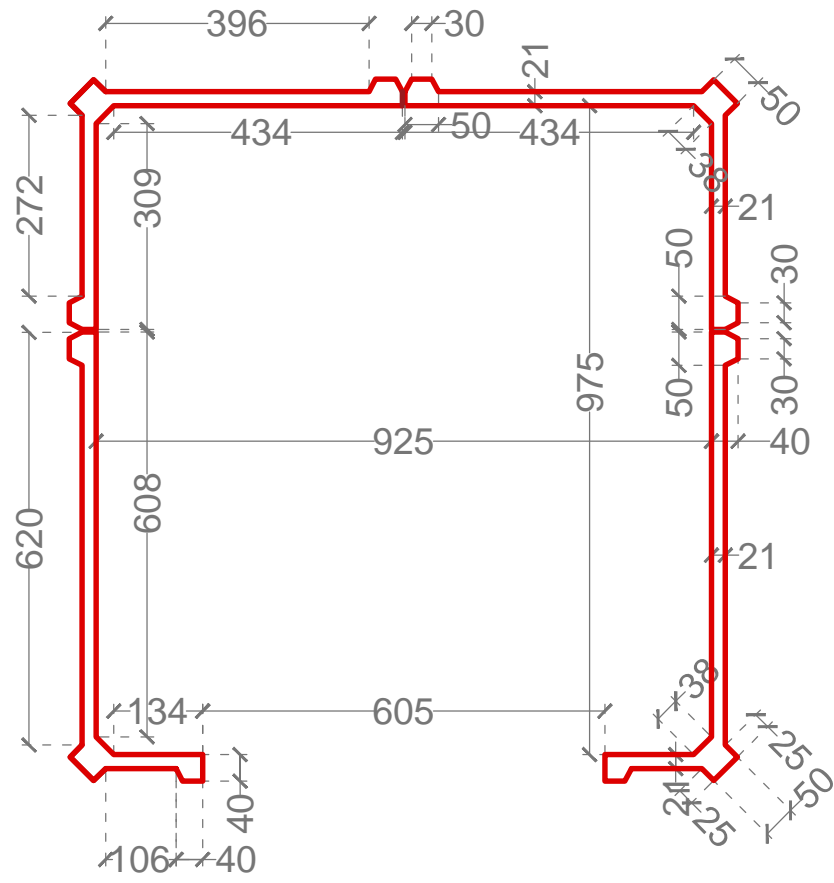
PRECAST RCC
TOILET
PANEL
SUPER
-STRUCTURE

USED FOR
INDIAN WC/
WESTERN WC

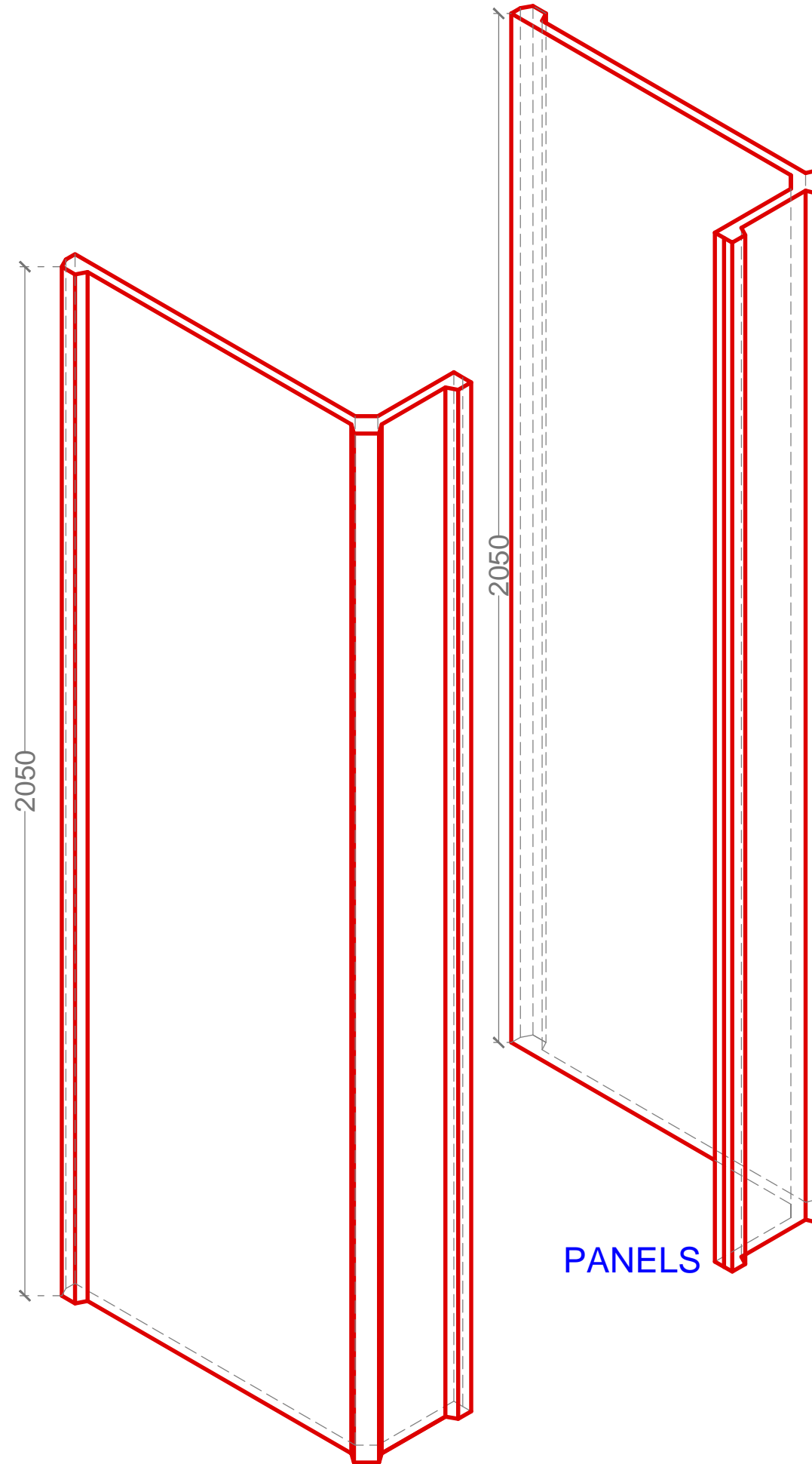
PANEL DESIGN

Dwg No.	Date:
PT-01	12/07/2017

Sheet	Scale:
A3	1:10



PLAN FOR PANELS



PANELS

NOTE:
ALL DIMENSIONS
ARE IN MM

MATERIAL :
M25 CONCRETE

PRECAST RCC
TOILET
PANEL
SUPER
-STRUCTURE

USED FOR
INDIAN WC/
WESTERN WC

PANEL DESIGN

Dwg No.	Date:
PT-02	12/07/2017

Sheet	Scale:
A3	1:10